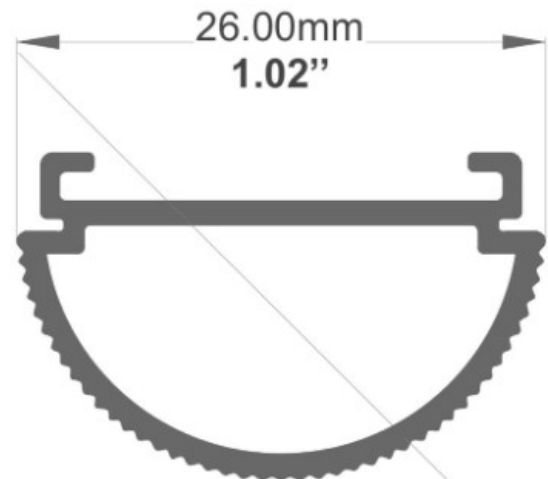
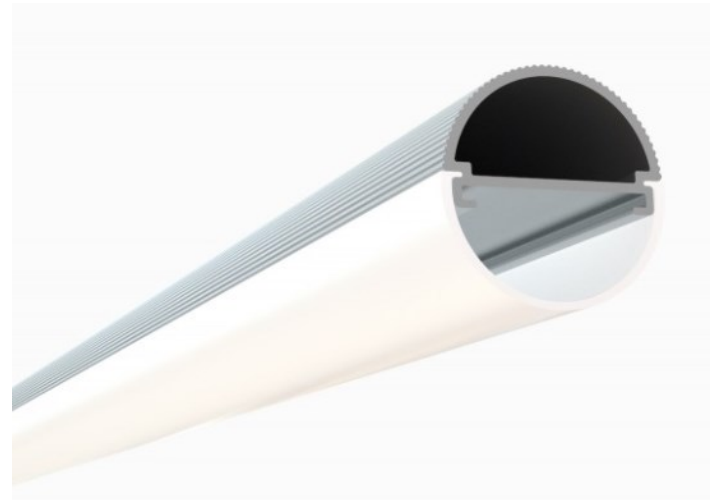




ERO-SL1 Series

The ERO-SL1 is a round-shape LED Channel compatible with LED Strips up-to 20mm (0.79") wide.



Type: LED Channel

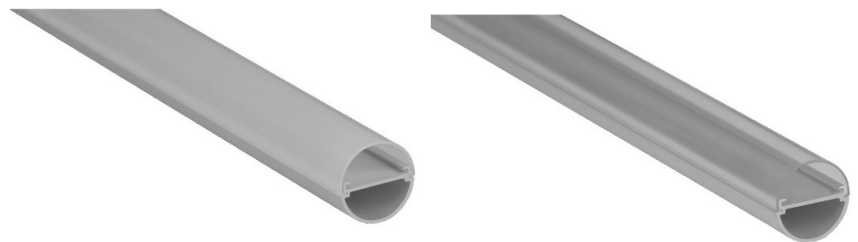
Material: Aluminum 6063-T5

Surface: Clear Anodized

Height: 26.40mm / 1.04"

Width: 26.00mm / 1.02"

Length: Nominal 8FT (94") / 2.40M





SOUTHERN STATE
LIGHTING

ERO-SL1 Series

Accessories

Diffuser Lens Cover



LNC-ERO-SL1



LNF-ERO-SL1

End Caps



EC-ERO-SQ1