

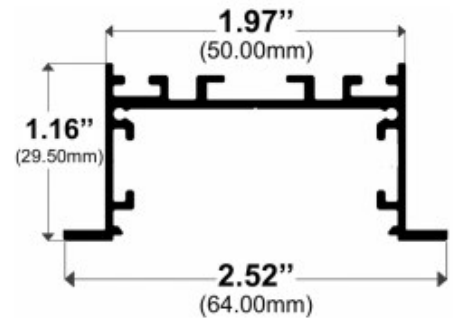
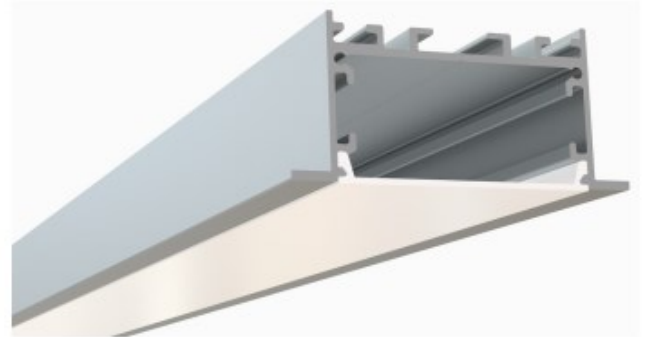


ERC-RE2 Series

The ERC-RE2 is a Recessed LED Channel compatible with LED Strips up-to 1.85" (47mm) wide.

It's designed for recessed installations to provide a clear and finished look.

Thanks to its design, the ERC-RE2 Series provides exceptional cooling and helps to extend the lifespan of your LED source.



Type: LED Channel

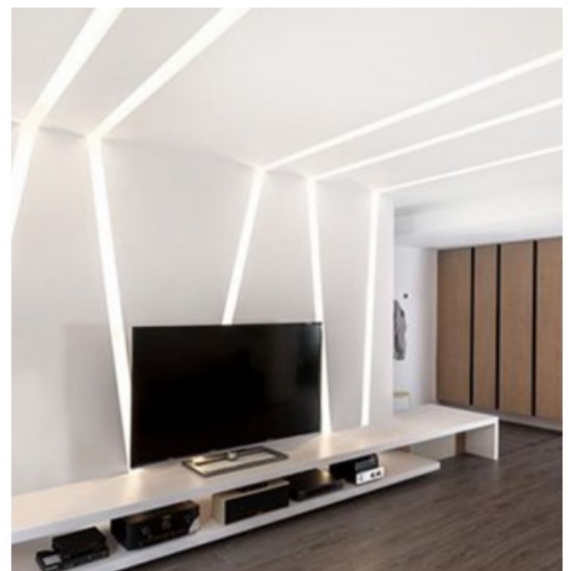
Material: Aluminum 6063-T5

Surface: Clear Anodized

Height: 29.50mm / 1.16"

Width: 50.0mm / 1.97"

Length: Nominal 8FT (94") / 2.40M





ERC-RE2 Series

Accessories

Diffuser Cover Lens



LNF-ERC-RE2

End Caps



EC-ERC-RE2

Mounting Clips



MC-ERC-RE2

