



ESR-SQSL Series

The ESR-SQSL Series is a Slimline LED Channel compatible with LED Strips up-to 0.63" (16mm) wide.

This profile has a wide range of accessories to help you find the best fit for your application.

Thanks to its Heatsink design, 1961 Series provides better cooling and helps to extend the lifespan of your LED Strip.

Due to its high side walls, it helps to build DotLess (Hotspot-Free) LED Fixtures using appropriate LED Strips.

Easy Installation with Mounting Brackets and Snap-In Diffusers.

Type: LED Channel

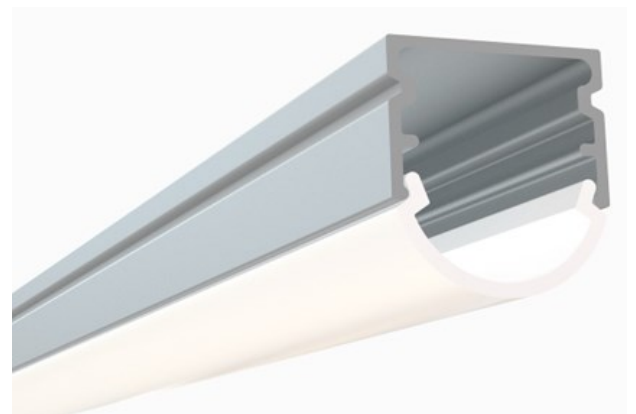
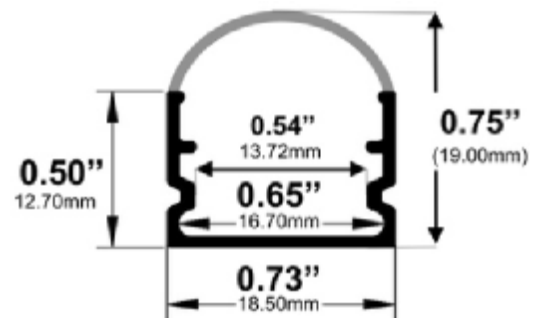
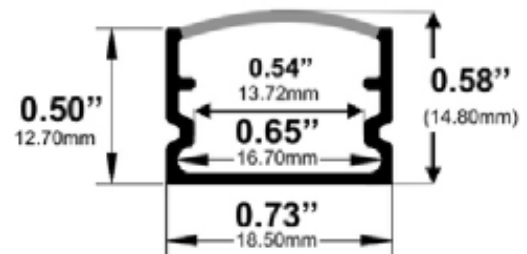
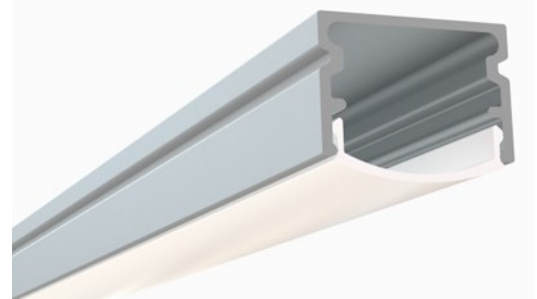
Material: Aluminum 6063-T5

Surface: Clear Anodized

Height: 12.70mm / 0.50"

Width: 18.50mm / 0.73"

Length: Nominal 8FT (94") / 2.40M





ESR-SQSL Series

Accessories

Diffuser Cover Lens



Clear Flat Diffuser

CFDI



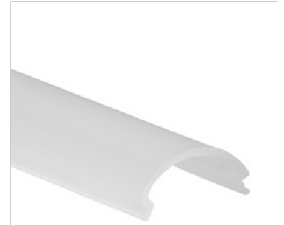
Clear Round Diffuser

CRDI



Opal Flat Diffuser

OFDI



Opal Round Diffuser

ORDI

End Caps



Plastic End Cap
for Flat Diffusers
(White or Grey)

PEC1



Plastic End Cap for
Round Diffusers
(White or Grey)

PEC2



Large White Plastic
End Cap for Flat
Diffusers

LECWI



Large Frosted
Plastic End Cap for
Flat Diffusers

LECWI

Mounting



Flat Surface Mounting Bracket

FSMB1