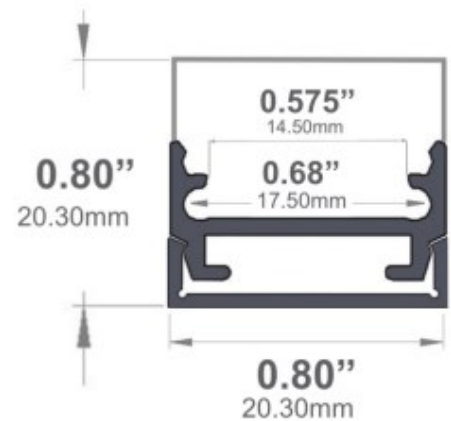




ESR-SQ1 Series

The ESR-SQ1 is a Slimline High-Profile LED Channel compatible with LED Strips up-to 16.50mm (0.65") wide.

This profile has an easy-to-install ultra-light mounting profile (976ASL) that provides a neat and finished look when used with End-Cap and Diffuser.



Type: LED Channel

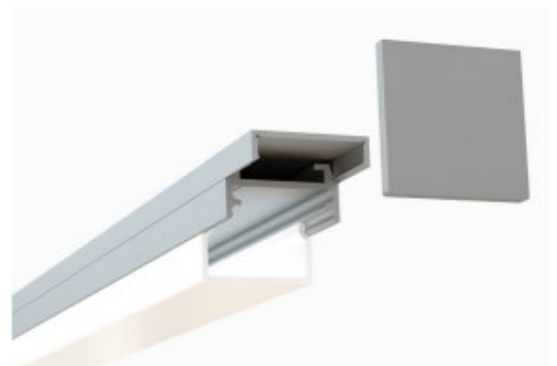
Material: Aluminum 6063-T5

Surface: Clear Anodized

Height: 20.30mm / 0.80"

Width: 20.30mm / 0.80"

Length: Nominal 8FT (94") / 2.40M



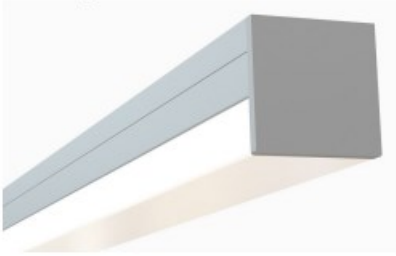


SOUTHERN STATE
L I G H T I N G

ESR-SQ1 Series

Accessories

End Caps



EC-ESR-SQ1