

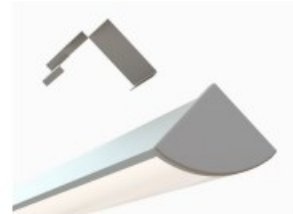
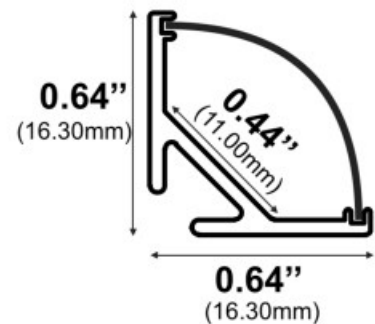
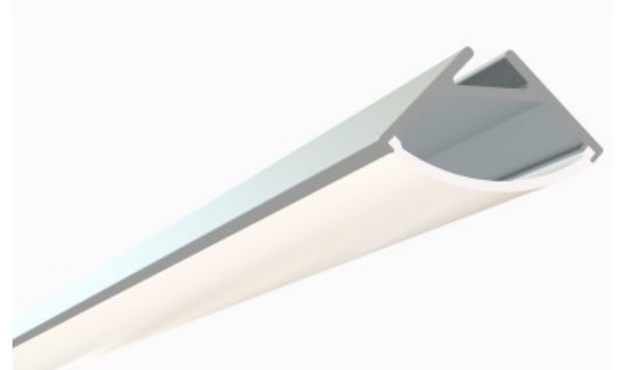


ESR-QTR Series

The ESR-QTR Series is a slimline Corner LED Channel compatible with LED Strips up-to 0.44" (11mm) wide.

It's designed for corner installations with 45-degree lighting needs. Back-Channel groove helps for ease of wiring.

LED Channels provides better cooling and helps to extend the lifespan of your LED Strip.



Type: LED Channel

Material: Aluminum 6063-T5

Surface: Clear Anodized

Height: 16.30mm / 0.64"

Width: 16.30mm / 0.64"

Length: Nominal 8FT (94") / 2.40M





SOUTHERN STATE
LIGHTING

ESR-QTR Series

Accessories

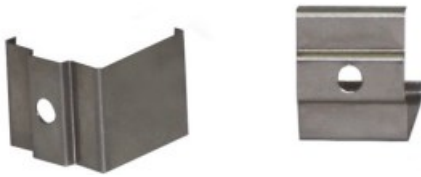
End Caps



EC-ESR-QTR



Mounting



MC-ESR-QTR

